

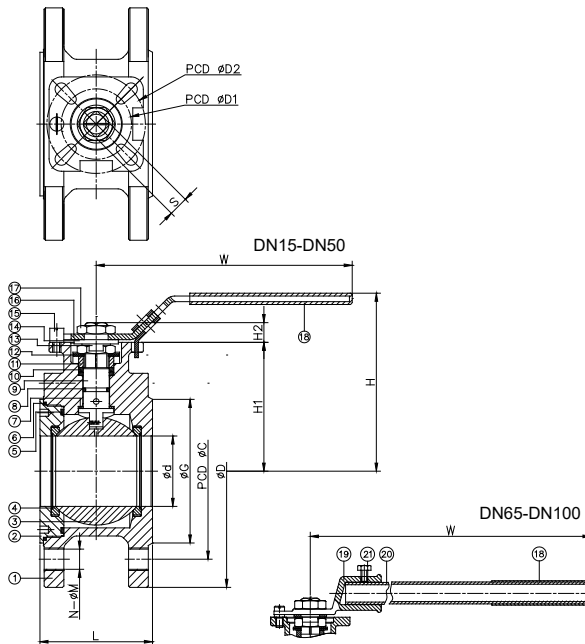


# 1-PC. FLANGED END BALL VALVE



## FEATURES

- Full port, 1/2"~4" (DN15~DN100)
- W.P. : 1/2"~2" - PN16-40  
2-1/2"~4" - PN10-16
- W.T. : -20°C~200°C (-4°F~392°F)
- Wafer type
- Investment casting
- Blow-out proof stem
- Anti-static device (option)
- ISO 5211 Direct mounting pad
- **API 607 Fire safe approved (option)**
- **ISO 15848 fugitive emission approved (option)**



| ITEM | PARTS             | MATERIAL        |        |
|------|-------------------|-----------------|--------|
| 1    | BODY              | 1.4408          | 1.0619 |
| 2    | CAP               |                 |        |
| 3    | BALL              | ASTM A351-CF8M  |        |
| 4    | SEAT              | RTFE            |        |
| 5    | SEAL A            | PTFE            |        |
| 6    | SEAL B            |                 |        |
| 7    | THRUST WASHER     | VITON           |        |
| 8    | O-RING            |                 |        |
| 9    | STEM              | 1.4401          |        |
| 10   | PACKING           | PTFE            |        |
| 11   | GLAND RING        | 1.4301          |        |
| 12   | BELLEVILLE WASHER | 1.4310          |        |
| 13   | LOCK WASHER       | 1.4301          |        |
| 14   | FLAT WASHER       |                 |        |
| 15   | STOPPER           | STAINLESS STEEL |        |
| 16   | HANDLE            |                 |        |
| 17   | NUT               | 1.4301          |        |
| 18   | HANDLE SLEEVE     | PVC             |        |
| 19   | HANDLE HEAD       | 1.4301          |        |
| 20   | STEEL TUBE        |                 |        |
| 21   | BOLT              | 1.4301          |        |

| DN  | d  | G   | C   | D   | L   | H     | H1    | H2 | W     | S  | D1  | D2  | N | M   | Torque (N-M) |
|-----|----|-----|-----|-----|-----|-------|-------|----|-------|----|-----|-----|---|-----|--------------|
| 15  | 15 | 45  | 65  | 95  | 42  | 86    | 54    | 9  | 121.3 | 9  | 36  | 42  | 4 | M12 | 6            |
| 20  | 20 | 58  | 75  | 105 | 44  | 91    | 59    | 9  | 121.3 | 9  | 36  | 42  | 4 | M12 | 8            |
| 25  | 25 | 68  | 85  | 115 | 50  | 99.5  | 66    | 11 | 150   | 11 | 42  | 50  | 4 | M12 | 10           |
| 32  | 32 | 78  | 100 | 140 | 60  | 111   | 77.5  | 11 | 150   | 11 | 42  | 50  | 4 | M16 | 15           |
| 40  | 40 | 88  | 110 | 150 | 65  | 119   | 84    | 14 | 180   | 14 | 50  | 70  | 4 | M16 | 22           |
| 50  | 50 | 102 | 125 | 165 | 80  | 126.5 | 91.5  | 14 | 180   | 14 | 50  | 70  | 4 | M16 | 30           |
| 65  | 65 | 122 | 145 | 185 | 110 | 147.5 | 105   | 17 | 344   | 17 | 70  | 102 | 4 | M16 | 45           |
| 80  | 76 | 138 | 160 | 200 | 120 | 153.5 | 111   | 17 | 344   | 17 | 70  | 102 | 8 | M16 | 55           |
| 100 | 96 | 158 | 180 | 220 | 150 | 174   | 131.5 | 22 | 390   | 22 | 102 | 125 | 8 | M16 | 70           |

unit:mm

| NPS    | d    | G    | C    | D    | L    | H    | H1   | H2   | W     | S    | D1   | D2   | N | M   | Torque (in-lb) |
|--------|------|------|------|------|------|------|------|------|-------|------|------|------|---|-----|----------------|
| 1/2"   | 0.59 | 1.77 | 2.56 | 3.74 | 1.65 | 3.39 | 2.13 | 0.35 | 4.78  | 0.35 | 1.42 | 1.65 | 4 | M12 | 53.1           |
| 3/4"   | 0.79 | 2.28 | 2.95 | 4.13 | 1.73 | 3.58 | 2.32 | 0.35 | 4.78  | 0.35 | 1.42 | 1.65 | 4 | M12 | 70.8           |
| 1"     | 0.98 | 2.68 | 3.35 | 4.53 | 1.97 | 3.92 | 2.6  | 0.43 | 5.91  | 0.43 | 1.65 | 1.97 | 4 | M12 | 88.5           |
| 1-1/4" | 1.26 | 3.07 | 3.94 | 5.51 | 2.36 | 4.37 | 3.05 | 0.43 | 5.91  | 0.43 | 1.65 | 1.97 | 4 | M16 | 132.8          |
| 1-1/2" | 1.57 | 3.46 | 4.33 | 5.91 | 2.56 | 4.69 | 3.31 | 0.55 | 7.09  | 0.55 | 1.97 | 2.76 | 4 | M16 | 194.7          |
| 2"     | 1.97 | 4.02 | 4.92 | 6.5  | 3.15 | 4.98 | 3.6  | 0.55 | 7.09  | 0.55 | 1.97 | 2.76 | 4 | M16 | 265.5          |
| 2-1/2" | 2.56 | 4.8  | 5.71 | 7.28 | 4.33 | 5.81 | 4.13 | 0.67 | 13.54 | 0.67 | 2.76 | 4.02 | 4 | M16 | 398.3          |
| 3"     | 2.99 | 5.43 | 6.3  | 7.87 | 4.72 | 6.04 | 4.37 | 0.67 | 13.54 | 0.67 | 2.76 | 4.02 | 8 | M16 | 486.8          |
| 4"     | 3.78 | 6.22 | 7.09 | 8.66 | 5.91 | 6.85 | 5.18 | 0.87 | 15.35 | 0.87 | 4.02 | 4.92 | 8 | M16 | 619.5          |

unit:in

Add:Shacheng Industrial Park ,Longwan District,Wenzhou City 325025,  
ZheJiang Province,China

Tel/Fax: +86-577-8986-3679 Mobile : +86 189 5773 1879

<http://www.cncxvalve.com>  
Email:sales@cncxvalve.com